

PRODUCT INFORMATION PACKET

Model No: 286TTDP7217
Catalog No: Y460
20,1800/1200,DP,286T,3/60/460
Other Purpose



Regal and Marathon are trademarks of Regal Beloit Corporation or one of its affiliated companies.
©2018 Regal Beloit Corporation, All Rights Reserved. MC017097E





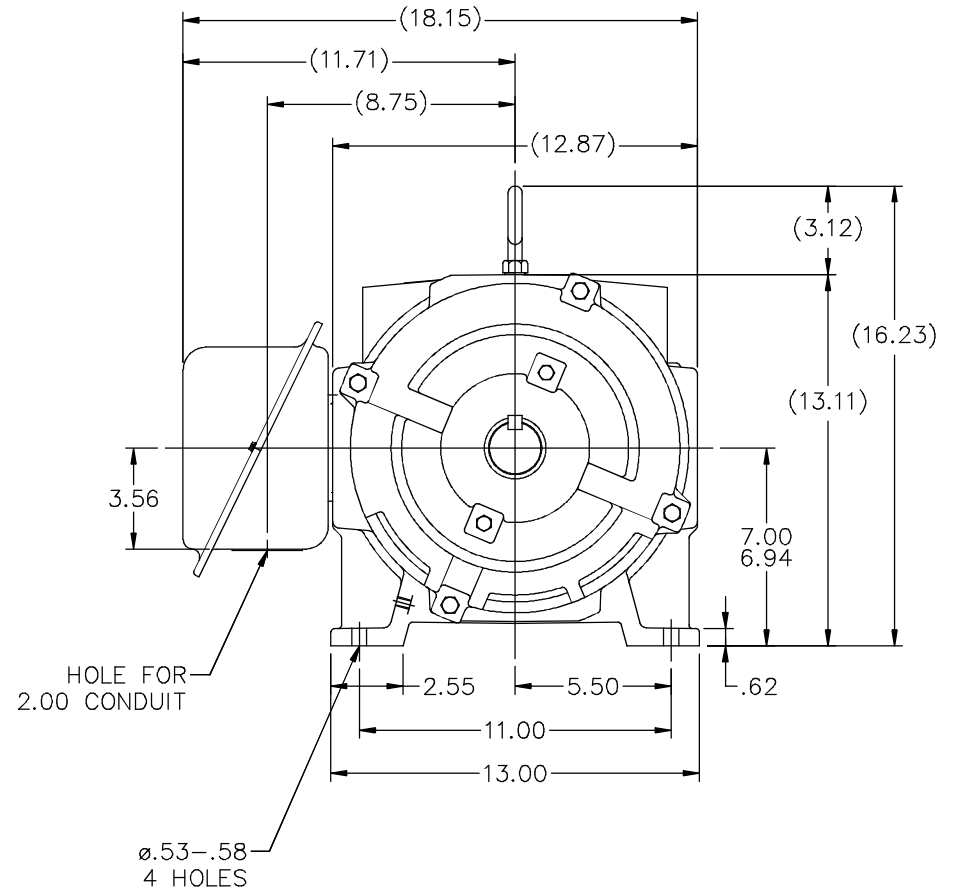
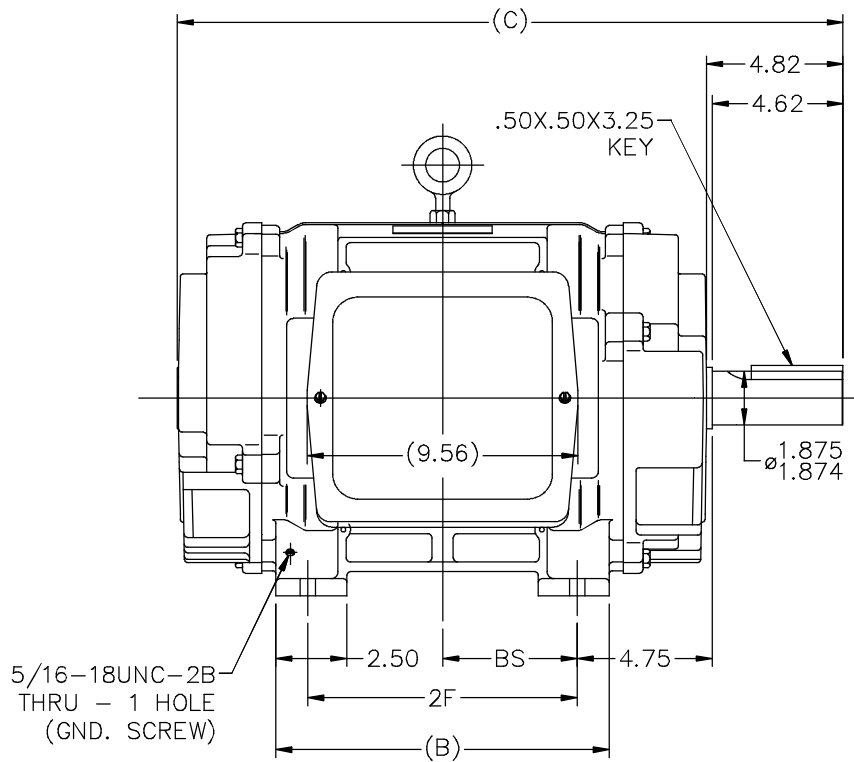
Nameplate Specifications

Output HP	20,8.89 Hp	Output KW	14.9 kW
Frequency	60 Hz	Voltage	460 V
Current	25,12 A	Speed	1765,1170 rpm
Service Factor	1.15	Phase	3
Efficiency	88.5 %	Duty	Continous
Insulation Class	B	Design Code	2VT
KVA Code	H	Frame	286T
Enclosure	Drip Proof	Overload Protector	No
Ambient Temperature	40 °C	Drive End Bearing Size	6311
Opp Drive End Bearing Size	6210	UL	Recognized
CSA	Y	CE	Y
IP Code	12		

Technical Specifications

Electrical Type	Squirrel Cage Induction Run	Starting Method	Across The Line
Poles	4//6	Rotation	Reversible
Mounting	Rigid base	Motor Orientation	Horizontal
Drive End Bearing	Ball	Opp Drive End Bearing	Ball
Frame Material	Cast Iron	Shaft Type	T
Overall Length	24.99 in	Frame Length	14.25 in
Shaft Diameter	1.875 in	Shaft Extension	4.82 in
Assembly/Box Mounting	F1/F2 Capable		
Outline Drawing	B-SS200030-1425	Connection Diagram	A-EE7317

This is an uncontrolled document once printed or downloaded and is subject to change without notice. Date Created: 06/29/2018

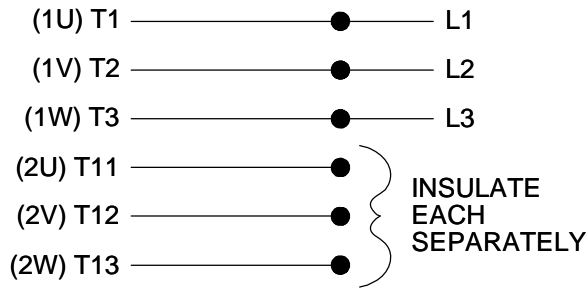


- NOTES
1. BOX CAN BE ROTATED IN 90° STEPS
 2. BOX CAN BE MOUNTED ON OPPOSITE SIDE BY REMOVING BRACKETS AND TURNING FRAME 180°
 3. NAMEPLATE TO BE READ FROM CONDUIT BOX SIDE OF MOTOR

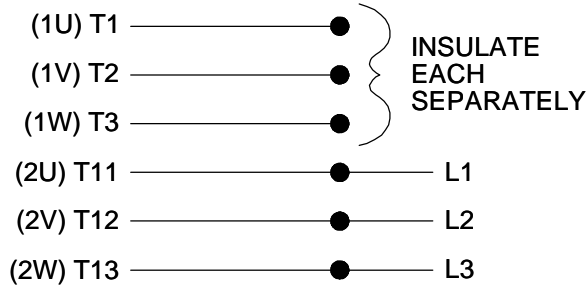
DASH	FRAME	B	C	2F	BS
1275	284T	11.75	23.49	9.50	4.75
1425	286T	13.25	24.99	11.00	5.50

			TOLERANCES UNLESS SPECIFIED		MARATHON ELECTRIC	DRAWN JL 11-17-1987	
			DEC.	INCHES		CHK JPN 11-20-1987	
10	RECAD IN AUTOCAD	RWR 05-27-2004	.X	±.1	TITLE OUTLINE - DR. PR. - CAST IRON 280T FR. - BB- TS - DBL. END VENT.	SCALE	1=4.5
9	REV. TO NEC CONDUIT BOX CN28428	NJS 02-10-2000	ML .XX	±.03		REF	
8	SHOW GND. SCR. HOLE IN FRONT CN22833	PGK 08-14-1996	JPN .XXX	±.005	MAT'L	FMF	
7	REMOVED FRONT EXT. CN21752-692	KL 07-23-1996	JPN .XXX	±.0005	FINISH	PREV	
NO.	REVISION	BY & DATE	CHK ANG	±7'30"	CAD FILE ss200030	SIZE	DRAWING NO. PAGE OF REV.
THIS DRAWING IN DESIGN AND DETAIL IS OUR PROPERTY AND MUST NOT BE USED EXCEPT IN CONNECTION WITH OUR WORK ALL RIGHTS OF DESIGN AND INVENTION ARE RESERVED THIS IS AN ELECTRONICALLY GENERATED DOCUMENT - DO NOT SCALE THIS PRINT			RFP		B	SS200030	10
			DIST LB				

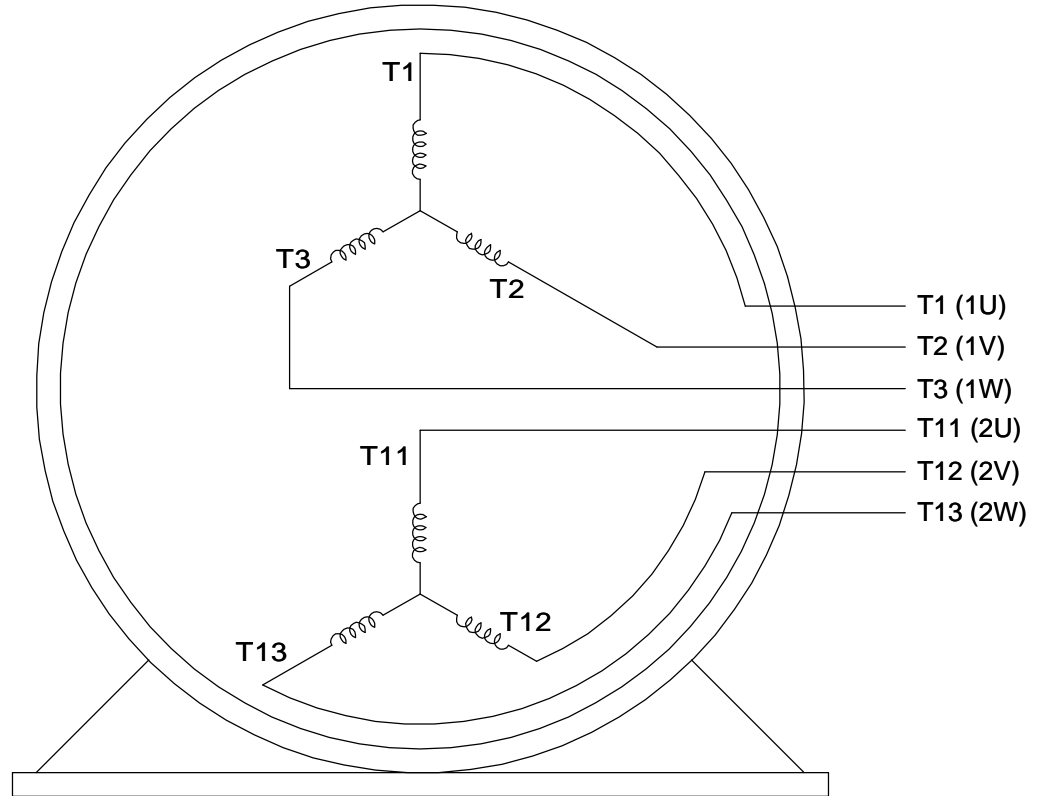
LOW SPEED



HIGHSPEED



**THREE PHASE, SINGLE VOLT, 6 LEAD
2 SPEED REVERSIBLE MOTOR**



VIEW OF TERMINAL END

TO REVERSE ROTATION ON
EITHER SPEED: INTERCHANGE
ANY 2 LEADS ON THE
WINDING IN USE.

DRAWING REVISION C	REVISION BY JJB	DATE 10-25-2017		DRAWN BY LZ	Regal Beloit America, Inc.
ECO ECO-0132917	APPROVED BY TLB	DATE 10-30-2017		DATE 01-05-1994	
ECO DESCRIPTION REVISED PER ECO & UPDATED TO STANDARDS				APPROVED BY GK	DESCRIPTION CONN DIAGRAM-INTERNAL
<small>COPYRIGHT REGAL BELOIT AMERICA, INC. ALL RIGHTS RESERVED. PROPRIETARY AND CONFIDENTIAL INFORMATION - THIS DOCUMENT IS THE PROPERTY OF REGAL BELOIT AMERICA, INC. ("OWNER") AND CONTAINS OWNER'S PROPRIETARY INFORMATION. ANY PERSON, CORPORATION OR OTHER FIRM RECEIVING IT IS DEEMED, BY RECEIVING IT, TO AGREE THAT IT, AND/OR ANY PART OF IT, SHALL NOT BE DISCLOSED TO ANY PERSON, CORPORATION OR OTHER ENTITY, DUPLICATED, AND/OR USED, EXCEPT AS EXPRESSLY APPROVED IN WRITING IN ADVANCE BY OWNER. THIS DOCUMENT SHALL BE RETURNED TO OWNER UPON REQUEST. IT MAY BE SUBJECT TO CERTAIN RESTRICTIONS UNDER APPLICABLE EXPORT CONTROL LAWS AND REGULATIONS.</small>			DATE 01-17-1994	3 PHASE - SINGLE - 2 SPEED REVERSIBLE	
			REFERENCE	MATERIAL	PROCESS/FINISH
			THIRD ANGLE PROJECTION	SIZE A	DRAWING NUMBER EE7317
					SHEET 1 OF 1

CERTIFICATION DATA SHEET

Model#: 286TTDP7217 AD **WINDING#:** 256(4-6)33 NONE 1
CONN. DIAGRAM: A-EE7317 **ASSEMBLY:** F1/F2 CAPABLE
OUTLINE: B-SS200030-1425

TYPICAL MOTOR PERFORMANCE DATA

HP	KW	SYNC. RPM	F.L. RPM	FRAME	ENCLOSURE	KVA CODE	DESIGN
20&&8.89	14.9&&6.6	1200	1765&1170	286T	DP	H	2VT

PH	Hz	VOLTS	FL AMPS	START TYPE	DUTY	INSL	S.F	AMB°C	ELEVATION
3	60/60	460	25&12	ACROSS THE LINE	CONTINUOUS	B3	1.15/1.15	40	3300

FULL LOAD EFF: 88.5&82.5	3/4 LOAD EFF: 83	1/2 LOAD EFF: 81.5	GTD. EFF	ELEC. TYPE	NO LOAD AMPS
FULL LOAD PF: 85&80.5	3/4 LOAD PF: 71.5	1/2 LOAD PF: 62.5	79	SQ CAGE IND RUN	6

F.L. TORQUE	LOCKED ROTOR AMPS	L.R. TORQUE	B.D. TORQUE	F.L. RISE°C
40 LB-FT	60	60 LB-FT 150	95 LB-FT 238	65

SOUND PRESSURE @ 3 FT.	SOUND POWER	ROTOR WK^2	MAX. WK^2	SAFE STALL TIME	STARTS /HOUR	APPROX. MOTOR WGT
66 dBA	76 dBA	2.8 LB-FT^2	- LB-FT^2	- SEC.	-	360 LBS.

***** SUPPLEMENTAL INFORMATION *****

DE BRACKET TYPE	ODE BRACKET TYPE	MOUNT TYPE	ORIENTATION	SEVERE DUTY	HAZARDOUS LOCATION	DRIP COVER	SCREENS	PAINT
STANDARD	STANDARD	RIGID	HORIZONTAL	FALSE	NONE	FALSE	NONE	BLUE (ENAMEL)

BEARINGS		GREASE	SHAFT TYPE	SPECIAL DE	SPECIAL ODE	SHAFT MATERIAL	FRAME MATERIAL
DE	OPE						
BALL	BALL	POLYREX EM	T	NONE	NONE	1045 HOT ROLLED (C-204)	CAST IRON
6311	6210						

THERMO-PROTECTORS				THERMISTORS	CONTROL	SPACE /n HEATERS
THERMOSTATS	PROTECTORS	WDG RTDs	BRG RTDs			
NONE	NOT	NONE	NONE	NONE	FALSE	NONE VOLTS

If Inverter equals NONE, contact factory for further information

INVERTER TORQUE: NONE
INV. HP SPEED RANGE: NONE
ENCODER: NONE
NONE NONE
NONE NONE PPR
BRAKE: NONE NONE
NONE P/N NONE
NONE NONE
NONE FT-LB NONE V NONE Hz

*
N
O
T
E
S
*

DATE: 06/27/2017 03:34:24 AM
 FORM 3531 REV.3 02/07/99

** Subject to change without notice.